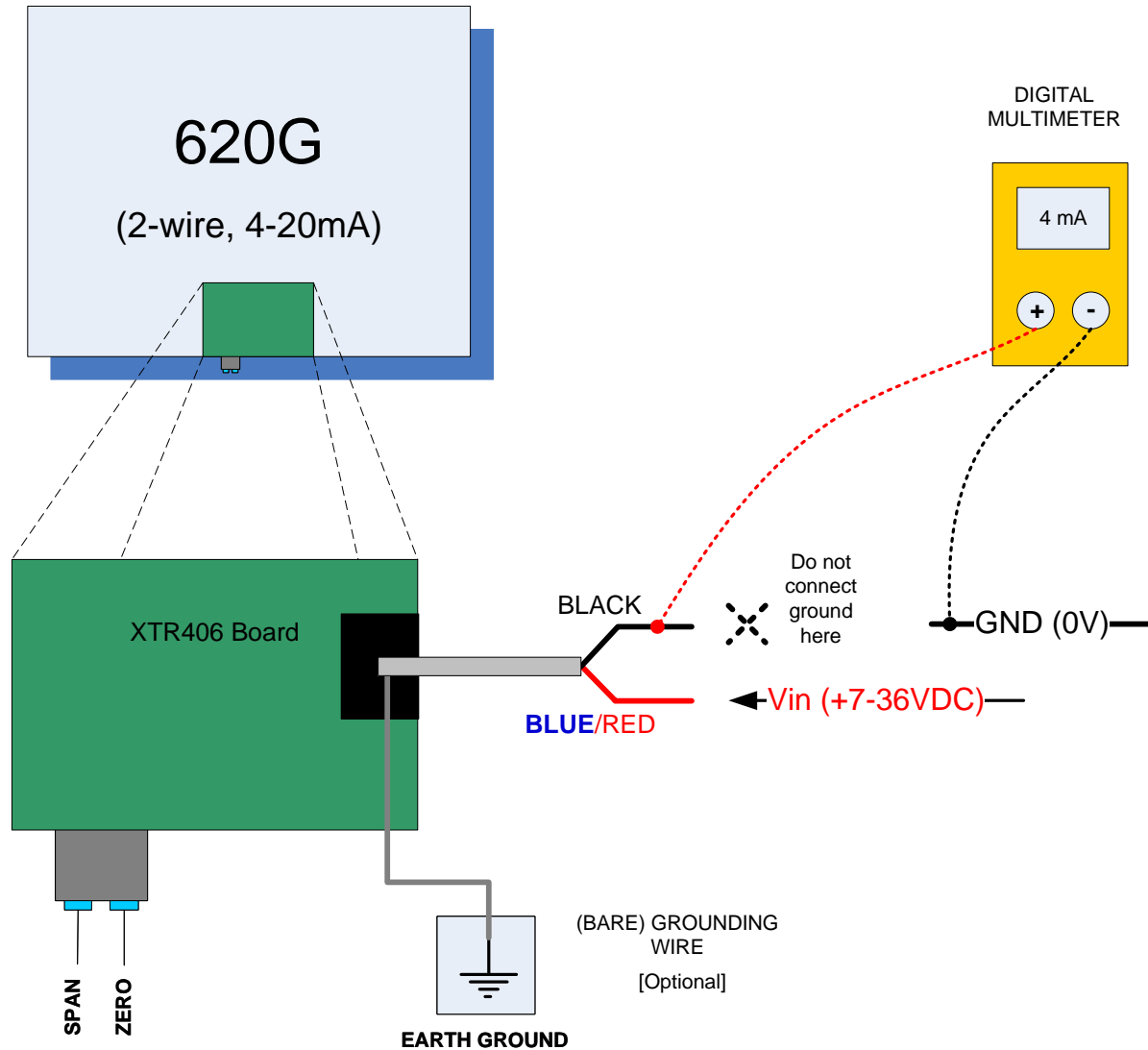


# 620G 4-20mA (2-Wire)

## Wiring Diagram

(w/ no display indicator)



### To check the output:

- 1) Connect the RED wire to a +24VDC outlet
- 2) Connect the GROUNDING WIRE (bare) to a suitable Earth Ground location in your building. This is optional. This will help determine faults in the scale if any and increase stability of your readings.
- 3) Connect the BLACK wire to the input terminal (+) of the ammeter or digital multimeter.
- 4) Connect the return terminal (-) or "common" of the ammeter to ground.
- 5) You will now have 4-20 mA reading from the ammeter.
- 6) Press the platform to see the deflection in current.
- 7) Use the SPAN and ZERO potentiometers located on the side of the board to calibrate your platform current output.